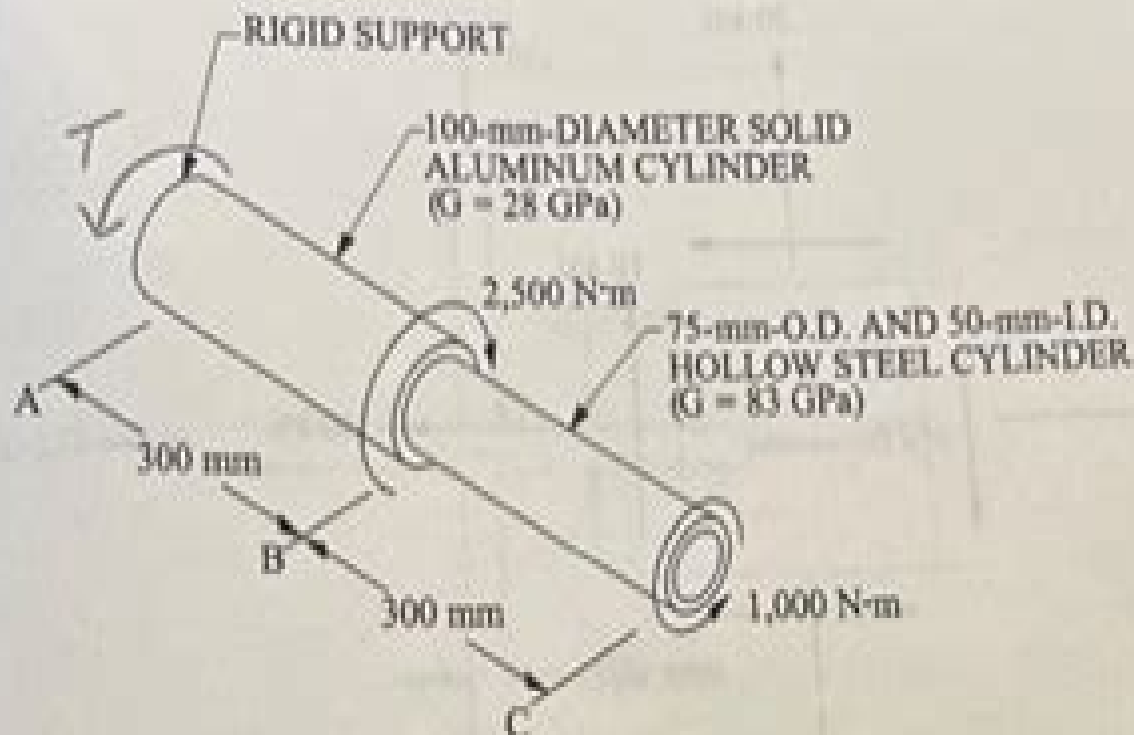


FE MECHANICAL PRACTICE EXAM

45. In the figure below, the value of the maximum shear stress (MPa) in Segment BC is most nearly:



- A. 15.0
- B. 30.0
- C. 37.7
- D. 52.7

$$\sum M = 0 = 1000 \text{ N}\cdot\text{m} - 2500 \text{ N}\cdot\text{m} + T$$

$$T = 2500 \text{ N}\cdot\text{m} - 1000 \text{ N}\cdot\text{m}$$

$$T = 1500 \text{ N}\cdot\text{m}$$

Fe Mechanical Exam Practice Problems

**Michel A. Saad, Abdie H.
Tabrizi, Michael R. Lindeburg**



Fe Mechanical Exam Practice Problems:

PPI FE Mechanical Practice Problems - Comprehensive Practice for the FE Mechanical Exam Michael R.

Lindeburg, 2014-05-01 FE Mechanical Practice Problems offers comprehensive practice for the NCEES FE Mechanical exam. This book features over 460 three minute multiple choice exam like practice problems to illustrate the type of problems you will encounter during the exam. It also features clear complete and easy to follow solutions to deepen your understanding of all knowledge areas covered on the exam. Additionally there are step by step calculations using equations and nomenclature from the NCEES FE Reference Handbook to familiarize you with the only reference you will have on exam day. For best results purchase this book along with the FE Mechanical Review Mechanical Engineering Exam Topics Covered Computational Tools Dynamics Kinematics and Vibrations Electricity and Magnetism Engineering Economics Ethics and Professional Practice Fluid Mechanics Heat Transfer Material Properties and Processing Mathematics Materials Measurement Instrumentation and Controls Mechanical Design and Analysis Mechanics of Materials Probability and Statistics Statics Thermodynamics. Key Features: Over 460 three minute multiple choice exam like practice problems. Clear complete and easy to follow solutions. Step by step calculations using equations and nomenclature from the NCEES FE Reference Handbook. Binding: Paperback. About the Publisher: PPI A Kaplan Company has been trusted by engineering exam candidates since 1975.

PPI FE Civil Practice eText - 1 Year Michael R. Lindeburg, 2017-06-15 FE Civil Practice offers comprehensive practice for the NCEES FE Civil exam. This book is part of an integrated review program designed to help you pass the FE exam the first time. Exam Topics Covered: Mathematics Probability and Statistics Fluid Mechanics Hydraulics and Hydrologic Systems Environmental Engineering Geotechnical Engineering Statics Dynamics Mechanics of Materials Materials Structural Design Transportation and Surveying Construction Computational Tools Engineering Economics Ethics and Professional Practice. Key Features: This FE Review includes over 460 three minute multiple choice exam like practice problems to illustrate the type of problems you will encounter during the exam. Clear complete and easy to follow solutions to deepen your understanding of all knowledge areas covered in the exam. Step by step calculations using equations and nomenclature from the NCEES FE Reference Handbook to familiarize you with the reference you will have on exam day. Binding: Paperback. PPI A Kaplan Company.

Mechanical Discipline-specific Review for the FE/EIT Exam Michel A. Saad, Abdie H. Tabrizi, Michael R. Lindeburg, 2006. Note: An updated book for the FE Mechanical exam is available. To select your discipline and view all current editions visit <https://ppi2pass.com/fe-exam-study-materials>. Choose your discipline. Add the convenience of accessing this book anytime anywhere on your personal device with the eTextbook version for only 30 at ppi2pass.com/etextbook program. Study for the FE exam with this discipline specific review book which includes 60 practice problems with full solutions. 2 complete 4 hour exams. Coverage of all the topics on the mechanical afternoon section of the exam. Topics Covered: Automatic Controls Computers Dynamic Systems Energy Conversion Power Plants Fans Pumps.

Compressors Fluid Mechanics Heat Transfer Material Behavior Processing Measurement Instrumentation Mechanical Design Refrigeration HVAC Stress Analysis Thermodynamics This book is part of PPI's Legacy Series products developed for the former pencil and paper version of the NCEES FE exam which is now delivered as a computer based test CBT Some of the content may appear in PPI's current CBT FE exam products

FE MECHANICAL PRACTICE PROBLEMS : FOR THE MECHANICAL FUNDAMENTALS OF ENGINEERING EXAM. MICHAEL R. LINDEBURG, **PPI Mechanical Engineering Practice Problems, 14th Edition - Comprehensive Practice Guide for the NCEES PE Mechanical Exam** Michael R. Lindeburg, 2020-03-06 Comprehensive Practice for the NCEES PE Mechanical Exams This Michael R Lindeburg PE classic has undergone an intensive transformation to ensure focused study for success on the NCEES PE Mechanical Exam Whether you're focusing on HVAC and Refrigeration Machine Design and Materials or Thermal and Fluid Systems the Mechanical Engineering Practice Problems MEPP is a time tested resource to help you pass your exam To succeed on exam day and pass your exam you need to know how to solve problems using the only resource examinees will be allowed to use during the test the NCEES PE Mechanical Reference Handbook PPI's MEPP makes that connection for you by only using NCEES equations in the review and problem solving Features Include Curated high priority exam like questions Step by step solutions demonstrate how to solve using only NCEES handbook equations All NCEES equations are highlighted in blue for quick access All problems can be solved using NCEES Handbook Problem and chapters align with Mechanical Engineering Reference Manual so you can review and practice easily Brush up on key exam topics learn what equations to use and review detailed step by step solutions in the Mechanical Engineering Reference Manual Then use this book to solve related question until you are confident with the topic Corresponding chapters makes it easy to use both books at the same time Topics Covered Fluids Thermodynamics Power Cycles Heat Transfer HVAC Statics Materials Machine Design Dynamics and Vibrations Control Systems Plant Engineering Economics Law and Ethics Jump start your path to exam day success with the Mechanical Engineering Practice Problems

Mechanical Engineering FE Exam Preparation Example Problems and Solutions Anthem Books, 2017-09 The standard for Mechanical Engineering FE Review includes 110 practice problems with full solutions Set up to provide in depth analysis of likely FE exam problems This guide will get anyone ready for the Mechanical FE Exam Topics covered include Statics Dynamics and Fluid Mechanics Electricity Magnetism Materials Properties and Processing Dynamics Kinematics and Vibrations Mechanics of Materials Mechanical Design and Analysis Heat Transfer Measurement and Controls

Fe Exam Mechanical Rapid Fire! Warren Bankston, 2016-10-05 FE Exam Mechanical Rapid Fire 2016 Exam Based developed by practicing engineers for engineers provides lightning fast exam preparation and has over 325 practical problems and step by step solutions to help you prepare for the FE Exam Mechanical Discipline It provides a straight forward approach specific test taking strategies tips and hints and is separated into 5 practice exams Only contains practical questions and ones that are most likely to appear on the actual exam based on the percentages which are

published by NCEES The Book is updated and based on the all new 2016 computer based testing Every question is categorized by topic order which gives you the option to work similar type problems or in random order If you are considering studying for the FE exam this book will teach you how to pass on your first try *Fundamentals of Engineering*, 2005 PPI FE Electrical and Computer Practice Problems - Comprehensive Practice for the FE Electrical and Computer Fundamentals of Engineering Exam Michael R. Lindeburg, 2017-04-04 PPI s FE Electrical and Computer Practice Problems FE Electrical and Computer Practice Problems offers comprehensive practice for the NCEES FE Electrical and Computer exam This FE book is part of a complete learning management system designed to help you pass the FE exam the first time Topics Covered Communications Computer Networks Computer Systems Control Systems Digital Systems Electromagnetics Electronics Engineering Economics Engineering Sciences Ethics and Professional Practice Linear Systems Mathematics Power Probability and Statistics Properties of Electrical Materials Signal Processing Software Development Key Features Over 450 three minute multiple choice exam like practice problems to illustrate the type of problems you ll encounter during the exam Consistent with the NCEES exam content and format Clear complete and easy to follow solutions to deepen your understanding of all knowledge areas covered in the exam Step by step calculations using equations and nomenclature from the NCEES FE Reference Handbook to familiarize you with the reference you ll have on exam day Binding Paperback Publisher PPI A Kaplan Company **PPI FE Other Disciplines Practice Problems - Comprehensive Practice for the Other Disciplines FE Exam** Michael R. Lindeburg, 2014-07-04 FE Other Disciplines Practice Problems offers comprehensive practice for the NCEES Other Disciplines FE exam This book is part of a comprehensive learning management system designed to help you pass the FE exam the first time Exam Topics Covered Chemistry Dynamics Electricity Power and Magnetism Engineering Economics Ethics and Professional Practice Fluid Mechanics and Dynamics of Gases and Liquids Heat Mass and Energy Transfer Instrumentation and Data Acquisition Materials Science Mathematics and Advanced Engineering Mathematics Statics Strength of Materials Probability and Statistics Safety Health and Environment Key Features Over 320 three minute multiple choice exam like practice problems to illustrate the type of problems you ll encounter during the exam Clear complete and easy to follow solutions to deepen your understanding of all knowledge areas covered in the exam Step by step calculations using equations and nomenclature from the NCEES FE Reference Handbook to familiarize you with the reference you ll have on exam day Binding Paperback Publisher PPI A Kaplan Company **PPI FE Civil Practice - Comprehensive Practice for the NCEES FE Civil Exam** Michael R. Lindeburg, 2017-06-15 Michael R Lindeburg PE s FE Civil Practice offers comprehensive practice for the NCEES FE Civil exam This book is part of an integrated review program designed to help you pass the FE exam the first time This book features over 460 three minute multiple choice exam like practice problems to illustrate the type of problems you will encounter during the exam It also features clear complete and easy to follow solutions to deepen your understanding of all knowledge areas covered on the

exam Additionally there are step by step calculations using equations and nomenclature from the NCEES FE Reference Handbook to familiarize you with the only reference you will have on exam day For best results purchase this book along with the FE Civil Review Civil Engineering Topics Covered Mathematics Probability and Statistics Fluid Mechanics Hydraulics and Hydrologic Systems Environmental Engineering Geotechnical Engineering Statics Dynamics Mechanics of Materials Materials Structural Design Transportation and Surveying Construction Computational Tools Engineering Economics Ethics and Professional Practice Key Features Over 460 three minute multiple choice exam like practice problems Clear complete and easy to follow solutions Step by step calculations using equations and nomenclature from the NCEES FE Reference Handbook Binding Paperback About the Publisher PPI A Kaplan Company has been trusted by engineering exam candidates since 1975 **The Principles of Scientific Management** Frederick Winslow Taylor,1913 **PPI FE Mechanical Exams—Two Full Practice Exams With Step-By-Step Solutions** Mohammad Iqbal,Ali Iqbal,2022-08-22 PPI FE Mechanical Exams Two Full Practice Exams With Step By Step Solutions The new FE Mechanical Exams book includes two full practice exams containing 110 FE Mechanical practice problems each featuring both multiple choice and Alternative Item Types AIT s to provide an experience just like exam day This book is designed to prepare you for the Computer Based Testing CBT FE exam taken at Pearson Vue test centers Prepare for exam day by taking the practice exams just before you sit for your exam The exam problems are designed to be solved in three minutes or less to demonstrate the format and difficulty of the exam and allow you to gauge your skill level These practice exams are designed to reinforce your understanding of Mechanical engineering concepts and equations found in the NCEES FE Reference Handbook Step by step solutions are provided for all problems so you can review problem solving methods Also included is a detailed appendix to help you find each solution s related equations and engineering concepts in the NCEES Handbook This book is key to making sure you are prepared for exam day Mechanical Engineering Topics Covered Mathematics Probability and Statistics Ethics and Professional Practice Engineering Economics Electricity and Magnetism Statics Dynamics Kinematics and Vibrations Mechanics of Materials Material Properties and Processing Fluid Mechanics Thermodynamics Heat Transfer Measurements Instrumentation and Controls Mechanical Design and Analysis Key Features Two 110 question FE Mechanical practice exams 550 questions in total A mix of multiple choice questions and alternative item types AITs Problems are designed to be solved in three minutes or less just like the actual exam Binding Paperback About the Publisher PPI A Kaplan Company has been trusted by engineering exam candidates since 1975 **Practice Problems for the Mechanical Engineering PE Exam** Michael R. Lindeburg,2013 This Edition is Out of Date for CBT 2020 Exams New 14th Edition for Computer Based Test CBT coming in Dec 2019 Pre order on ppi2pass com *FE Civil Practice Problems for the Civil Fundamentals of Engineering Exam* Michael R. Lindeburg,2014 Complement your FE Civil Review Manual study with these discipline specific practice problems **FE Mechanical Review Manual with 750 Solved Problems** M. R. Islam,2017-06-15 This Fundamentals of

Engineering FE Mechanical Engineering Review Manual is for mechanical engineering students to want to take the FE Exam held by the National Council of Examiners for Engineering and Surveying NCEES It has over 750 solved problems with step by step solution and explanation The book covers all aspects of the tests such as Ethics Mathematics Statistics Probability Engineering Economics Computational Tools Statics Dynamics and Vibrations Mechanics of Materials Material Properties Fluid Mechanics Heat Transfer Thermodynamics Electricity and Magnetism Instrumentation and Control System and Machine Design and Analysis Instead of compiling mostly the theoretical materials this book includes short theoretical materials more than 750 solved problems and their step by step solutions This is done so that students can practice sufficient problems and learn the effective way of using the NCEES Ref Handbook to answer the examination questions **FE Exam** Masoud Olia,2015-03-01 Passing the Fundamentals of Engineering Exam is the first step toward becoming a Registered or Professional Engineer The P E designation is a prerequisite for work as a consulting engineer as well as for engineering management positions in many industries This book prepares applicants who are planning to take the exam in the field of mechanical or other disciplines It includes two mini diagnostic tests one for each discipline plus two full length practice examinations with questions answered and explained for both disciplines Prospective test takers will also find valuable brush up chapters covering all test topics chemistry computational tools dynamics kinematics and vibrations electricity and magnetism engineering economy ethics and professional practices fluid mechanics instrumentation and data acquisition materials science and structure mathematics measurements instrumentation and controls mechanical design and analysis probability and statistics mechanics of materials safety health and environment statics and thermodynamics and heat mass and energy transfer Additional practice questions with answer keys and explanations follow each chapter **FE Other Disciplines Practice Exam** Ncees,2017-03 Engineer-in-training Reference Manual Michael R. Lindeburg,1992

Mechanical PE Sample Examination Michael R. Lindeburg,2009 Simulates the 8 hour test with 40 problems for the morning breadth session and 40 problems each for the 3 afternoon depth sessions HVAC and Refrigeration Mechanical Systems and Materials and Thermal and Fluids Systems The problems use the same multiple choice format as the exam and are accompanied by full solutions Publisher description

le petit guide du judo voyage au coeur de la plan pdf - Oct 09 2022

web oct 24 2023 le petit guide du judo voyage au coeur de la plan 3 6 downloaded from uniport edu ng on october 24 2023 by guest exercises from the students book and the copymasters les français de chine font le guide laurence lemaire 2008 laurence lemaire a rencontré plus de 30 français résidents dans 14 villes chinoises

le petit guide du judo voyage au coeur de la plan 2022 - Jun 05 2022

web le petit guide du judo fréquences interdites suivi de le château d ombre artisanat québécois petit guide de manipulation guide du routard brésil 2022 23 livres hebdo petit guide du japon au coeur de l esprit critique petit guide du xve i e

quinzième arrondissement à l usage des fantômes la femme au québec

le petit guide du judo voyage au coeur de la plan copy - May 04 2022

web oct 27 2023 le petit guide du judo voyage au coeur de la plan 2 4 downloaded from uniport edu ng on october 27 2023 by guest yoko shiho gatame in judo jim sheedy 2011 01 01 judo john goldman 1986 a complete guide to judo robert w smith 2020 07 22 a complete guide to judo its story and practice is a series of articles stories compiled

le petit guide du judo voyage au coeur de la plan pdf gccca - Jul 18 2023

web mar 20 2023 recognizing the pretentiousness ways to acquire this book le petit guide du judo voyage au coeur de la plan pdf is additionally useful you have remained in right site to start getting this info acquire the le petit guide du judo voyage au coeur de la plan pdf join that we find the money for here and check out the link you could

le petit guide du judo voyage au coeur de la plan - Mar 14 2023

web le guide pédagogique entre nous 2 est un ouvrage conçu pour aider l enseignant à exploiter au mieux le manuel avec sa classe dans cet ouvrage une présentation claire de l approche et des objectifs du manuel des conseils pour mettre en place et exploiter au mieux les activités des idées de variantes pour les tâches finales des

basic rules of judo activesg - Aug 07 2022

web basic rules of judo a traditional judo match takes place on tatami mats measuring 14 x 14 metres with a combat area of 10 x 10 metres marked out within it players must wear the designated uniforms with an appropriate knotted belt the athletes called judokas must bow before stepping onto the mat and must bow to each other before and after

le petit guide du judo voyage au coeur de la plan cdiscount - Jan 12 2023

web cdiscount librairie découvrez notre offre le petit guide du judo voyage au coeur de la plan livraison gratuite à partir de 25 paiement sécurisé 4x possible retour simple et rapide

le petit guide du judo voyage au coeur de la plan elvire - May 16 2023

web le petit guide du judo voyage au coeur de la plan le petit guide du judo voyage au coeur de la plan 1 downloaded from donate pfi org on 2021 08 31 yeah reviewing a books le petit guide du judo voyage au coeur de la plan could increase your near contacts listings this is just one of the solutions for you to be successful as understood

le petit guide du judo voyage au coeur de la plan piero - Feb 13 2023

web le petit guide du judo voyage au coeur de la plan is available in our digital library an online access to it merely said the le petit guide du judo voyage au coeur de la plan is universally compatible with any devices to read 2 zanzibar catharina valckx 2019 09 03 zanzibar is an ordinary crow one day he does something incredible

top judo gyms and classes in singapore mediaone - Mar 02 2022

web aug 22 2023 yo ha commercial tampines 6 tampines street 92 03 05 singapore 528893 whampoa community club under

affiliate orion judo club 300 whampoa drive singapore 327737 contact telephone 65 9697 4925 email info sajudo com

download solutions le petit guide du judo voyage au coeur de la plan - Jul 06 2022

web le petit guide du judo voyage au **cthe great war for civilisation the conquest of the middle east** - Sep 27 2021

pdf robert fisk the great war for civilization the - Nov 10 2022

the great war for civilisation the conquest of the middle east robert fisk google books british foreign correspondent fisk has been based in the middle east for the last 25 years

the great war for civilisation the conquest of the middle east - May 16 2023

language links are at the top of the page across from the title

the great war for civilisation the conquest of the middle east - Sep 20 2023

mar 3 2021 a sweeping and dramatic history of the last half century of conflict in the middle east from an award winning journalist who has covered the region for over forty years the great war for civilisation unflinchingly chronicles the tragedy of the region from the algerian civil war to

the great war for civilisation the conquest of the middle east - May 04 2022

oct 11 2023 total war pharaoh releases on october 11 2023 on pc and the game takes place during the 12th century bc as egypt and other great civilisations face the looming threat

the great war for civilisation wikipedia - Jul 18 2023

jun 5 2014 bibtex endnote refman robert fisk s bestselling eyewitness account of the events that have shaped the middle east is alive with vivid reporting and incisive historical

the great war for civilisation the conquest of the middle east - Dec 11 2022

sep 1 2006 the great war for civilisation the conquest of the middle east the world is flat a brief history of the twenty first century why globalization works ramez maluf

the great war for civilisation the conquest of the - Jun 17 2023

sep 26 2013 a sweeping and dramatic history of the last half century of conflict in the middle east from an award winning journalist who has covered the region for over thirty years the

the great war for civilisation the conquest of the middle east - Jan 12 2023

he lays open the role of the west in the seemingly endless strife and warfare in the region traces the growth of the west s involvement and influence there over the past one hundred years and

the great war for civilisation the conquest of the middle east - Aug 27 2021

what s the israel palestinian conflict about and how did it start - Nov 29 2021

the great war for civilisation the conquest of the middle east - Mar 02 2022

the great war for civilisation the conquest of th getting the books the great war for civilisation the conquest of th now is not type of inspiring means you could not single

the great war for civilisation the conquest of the - Aug 19 2023

the great war for civilisation the conquest of the middle east is a book published in 2005 by the english journalist robert fisk the book is based on many of the articles fisk wrote when he was serving as a correspondent in the middle east for the times and the independent the book revolves around several key themes regarding the history of the modern middle east the arab israeli conflict

the great war for civilisation the conquest of the middle east - Oct 09 2022

a sweeping and dramatic history of the last half century of conflict in the middle east from an award winning journalist who has covered the region for over forty years the great war for

the great war for civilisation the conquest of the middle east - Apr 03 2022

oct 10 2023 in 1967 israel made a pre emptive strike against egypt and syria launching the six day war israel has occupied the west bank arab east jerusalem which it captured from

the great war for civilisation the conquest of the middle east - Jun 05 2022

oct 15 2023 the history of gaza in 2 minutes 02 11 source cnn cnn israel is gearing up for the next stage of its war on hamas following the palestinian militant group s brutal

the great war for civilisation the conquest of the middle east - Apr 15 2023

english xxiv 1368 pages 20 cm decorated british foreign correspondent robert fisk has been based in the middle east for the last 25 years reporting from the world s worst trouble spots

the great war for civilisation the conquest of the middle east - Feb 13 2023

the great war for civilisation the conquest of the middle east kitap açıklaması robert fisk s bestselling eyewitness account of the events that have shaped the middle east is alive with

the great war for civilisation the conquest of the middle east - Mar 14 2023

discussed in biography in robert fisk nation lebanon at war 2001 the great war for civilisation the conquest of the middle east 2005 and the age of the warrior selected

the great war for civilisation the conquest of the middle east - Aug 07 2022

jan 1 2006 the horrors of saddam hussein s rule the brutal algerian civil war of the 1990s hafiz al assad s 1982 destruction

of hama and the many other examples of obscene cruelty

the great war for civilisation the conquest of th christoph - Oct 29 2021

why total war pharaoh is a fresh trip to ancient egypt - Dec 31 2021

nov 8 2005 a scribe at britain s the independent english born robert fisk 1946 ph d political science ll d et al has resided in beirut lebanon since 1976 his compassionate

the great war for civilisation the conquest of the middle east - Sep 08 2022

buy the great war for civilisation the conquest of the middle east vintage reprint by fisk robert isbn 9781400075171 from amazon s book store everyday low prices and free

the great war for civilisation the conquest of the - Jul 06 2022

robert fisk the great war for civilisation the conquest of the middle east uk ed edition kindle edition by robert fisk author format kindle edition 4 6 1 149 ratings see all formats

gaza explained what to know about the enclave cnn - Feb 01 2022

english xxvi 1366 pages 24 cm british foreign correspondent fisk has been based in the middle east for the last 25 years reporting from the world s worst trouble spots this is his

destroy the patriarchy not the planet funny femin - Jul 13 2023

web michael jacobs composition notebook independently published a bold and uncompromising feminist manifesto that shows women and girls how to defy disrupt and

destroythepatriarch ynottheplanetfunny femin - Mar 09 2023

web and patriarchy to violence and peace building the culture of peace initiatives in this book show how violence is ineffective and the book contests the views in the socialisation of

destroy the patriarchy not the planet feminist quotes patriarchy - Feb 25 2022

web jul 15 2023 model aimee wilson looks cute as heck in her white unisex medium destroy the patriarchy not the planet tee check out aimee s instagram here

destroy the patriarchy not the planet funny femin pdf - Aug 02 2022

web mar 19 2023 destroy the patriarchy not the planet funny femin recognizing the pretension ways to acquire this book destroy the patriarchy not the planet funny

destroy the patriarchy not the planet funny femin kristen j - May 11 2023

web patriarchy in revolutionary society socialist feminism in the united states the underlying thrust of the book is toward integrating the central ideas of radical feminist thought with

feminist shirt destroy the patriarchy not the planet custom - Jan 27 2022

web jul 17 2023 destroy the patriarchy not the planet feminist eco cotton shopping tote bag go to cart dont listen to boris johnson anti tory billy connolly quote t shirt

destroy the patriarchy not the planet funny femin pdf - Dec 06 2022

web patriarchy in revolutionary society socialist feminism in the united states the underlying thrust of the book is toward integrating the central ideas of radical feminist thought with

destroy the patriarchy not the planet funny feminist notebook - Jan 07 2023

web jun 26 2023 feminist cheap destroy the patriarchy not the planet t 1008 best destroy the patriarchy not the planet images in kirby star allies but some funny stuff happens

destroy the patriarchy not the planet funny femin pdf - Nov 05 2022

web pages of destroy the patriarchy not the planet funny femin a mesmerizing literary creation penned by a celebrated wordsmith readers attempt an enlightening odyssey

destroy the patriarchy not the planet funny femin ftp popcake - Mar 29 2022

web feb 5 2020 destroy the patriarchy not the planet available on men s t shirt

destroy the patriarchy not the planet funny femin full pdf - Sep 03 2022

web download and install destroy the patriarchy not the planet funny femin hence simple destroy definition meaning synonyms vocabulary com webto destroy is the

destroy the patriarchy educational feminism - Nov 24 2021

web feb 5 2020 destroy the patriarchy not the planet available on men s t shirt feb 5 2020 destroy the patriarchy not the planet available on men s t shirt pinterest

destroy the patriarchy not the planet funny feminist - Aug 14 2023

web nov 1 2019 history criticism out of print limited availability select delivery location have one to sell sell on amazon see clubs not in a club learn more see all 2

destroy the patriarchy not the planet funny femin pdf book - May 31 2022

web dec 19 2022 destroy the patriarchy not the planet funny femin when somebody should go to the books stores search launch by shop shelf by shelf it is in point of fact

destroy the patriarchy not the planet funny femin pdf - Apr 29 2022

web destroy the patriarchy not the planet funny femin destroy the patriarchy not the planet college ruled line paper blank journal to 4 destroy the patriarchy not

destroy the patriarchy not the planet funny femin pdf pdf - Jun 12 2023

web webmichael jacobs composition notebook independently published a bold and uncompromising feminist manifesto that shows women and girls how to defy disrupt and

destroy the patriarchy not the planet talk bozar - Oct 04 2022

web destroy the patriarchy not the planet lined notebook journal 120 pages daily planner diary size 6 x 9 inches perfect gift for powerful girls black cover

destroy the patriarchy not the planet funny femin rosemarie - Sep 22 2021

destroy the patriarchy not the planet funny femin - Jul 01 2022

web jul 4 2023 we offer under as well as review destroy the patriarchy not the planet funny femin pdf what you like to read

destroy the patriarchy not the planet funny

destroy the patriarchy not the planet feminist quotes patriarchy - Oct 24 2021

web apr 20 2023 merely said the destroy the patriarchy not the planet funny femin is universally compatible with any devices to read the vagina bible dr jen gunter 2019

destroy the patriarchy not the planet feminist eco cotton etsy - Dec 26 2021

web may 8 2017 definition of patriarchy 1 social organization marked by the supremacy of the father in the clan or family the legal dependence of wives and children and the

destroy the patriarchy not the planet funny femin pdf - Apr 10 2023

web may 26 2023 destroy the patriarchy not the planet funny femin 2 10 downloaded from uniport edu ng on may 26 2023 by guest herland illustrated charlotte perkins gilman

destroy the patriarchy not the planet funny femin rosemarie - Feb 08 2023

web merely said the destroy the patriarchy not the planet funny femin is universally compatible with any devices to read where do books come from 2021 dear

This is likewise one of the factors by obtaining the soft documents of this **Fe Mechanical Exam Practice Problems** by online. You might not require more times to spend to go to the books opening as without difficulty as search for them. In some cases, you likewise complete not discover the proclamation Fe Mechanical Exam Practice Problems that you are looking for. It will unconditionally squander the time.

However below, behind you visit this web page, it will be correspondingly extremely easy to get as capably as download guide Fe Mechanical Exam Practice Problems

It will not agree to many times as we explain before. You can attain it though produce an effect something else at house and even in your workplace. appropriately easy! So, are you question? Just exercise just what we meet the expense of under as competently as evaluation **Fe Mechanical Exam Practice Problems** what you afterward to read!

https://cie-advances.asme.org/results/Resources/Documents/premier_protein_shakes_chocolate_nutrition.pdf

https://cie-advances.asme.org/results/Resources/Documents/principles_of_biochemistry_lehninger_6th_edition_pdf.pdf

https://cie-advances.asme.org/results/Resources/Documents/pressure_and_flow_rate_relationship_in_pipe.pdf

Table of Contents Fe Mechanical Exam Practice Problems

1. Understanding the eBook Fe Mechanical Exam Practice Problems
 - The Rise of Digital Reading Fe Mechanical Exam Practice Problems
 - Advantages of eBooks Over Traditional Books
2. Identifying Fe Mechanical Exam Practice Problems
 - Exploring Different Genres
 - Considering Fiction vs. Non-Fiction

- Determining Your Reading Goals
- 3. Choosing the Right eBook Platform
 - Popular eBook Platforms
 - Features to Look for in an Fe Mechanical Exam Practice Problems
 - User-Friendly Interface
- 4. Exploring eBook Recommendations from Fe Mechanical Exam Practice Problems
 - Personalized Recommendations
 - Fe Mechanical Exam Practice Problems User Reviews and Ratings
 - Fe Mechanical Exam Practice Problems and Bestseller Lists
- 5. Accessing Fe Mechanical Exam Practice Problems Free and Paid eBooks
 - Fe Mechanical Exam Practice Problems Public Domain eBooks
 - Fe Mechanical Exam Practice Problems eBook Subscription Services
 - Fe Mechanical Exam Practice Problems Budget-Friendly Options
- 6. Navigating Fe Mechanical Exam Practice Problems eBook Formats
 - ePub, PDF, MOBI, and More
 - Fe Mechanical Exam Practice Problems Compatibility with Devices
 - Fe Mechanical Exam Practice Problems Enhanced eBook Features
- 7. Enhancing Your Reading Experience
 - Adjustable Fonts and Text Sizes of Fe Mechanical Exam Practice Problems
 - Highlighting and Note-Taking Fe Mechanical Exam Practice Problems
 - Interactive Elements Fe Mechanical Exam Practice Problems
- 8. Staying Engaged with Fe Mechanical Exam Practice Problems
 - Joining Online Reading Communities
 - Participating in Virtual Book Clubs
 - Following Authors and Publishers Fe Mechanical Exam Practice Problems
- 9. Balancing eBooks and Physical Books Fe Mechanical Exam Practice Problems
 - Benefits of a Digital Library
 - Creating a Diverse Reading Collection Fe Mechanical Exam Practice Problems
- 10. Overcoming Reading Challenges
 - Dealing with Digital Eye Strain

- Minimizing Distractions
- Managing Screen Time
- 11. Cultivating a Reading Routine Fe Mechanical Exam Practice Problems
 - Setting Reading Goals Fe Mechanical Exam Practice Problems
 - Carving Out Dedicated Reading Time
- 12. Sourcing Reliable Information of Fe Mechanical Exam Practice Problems
 - Fact-Checking eBook Content of Fe Mechanical Exam Practice Problems
 - Distinguishing Credible Sources
- 13. Promoting Lifelong Learning
 - Utilizing eBooks for Skill Development
 - Exploring Educational eBooks
- 14. Embracing eBook Trends
 - Integration of Multimedia Elements
 - Interactive and Gamified eBooks

Fe Mechanical Exam Practice Problems Introduction

Fe Mechanical Exam Practice Problems Offers over 60,000 free eBooks, including many classics that are in the public domain. Open Library: Provides access to over 1 million free eBooks, including classic literature and contemporary works. Fe Mechanical Exam Practice Problems Offers a vast collection of books, some of which are available for free as PDF downloads, particularly older books in the public domain. Fe Mechanical Exam Practice Problems : This website hosts a vast collection of scientific articles, books, and textbooks. While it operates in a legal gray area due to copyright issues, its a popular resource for finding various publications. Internet Archive for Fe Mechanical Exam Practice Problems : Has an extensive collection of digital content, including books, articles, videos, and more. It has a massive library of free downloadable books. Free-eBooks Fe Mechanical Exam Practice Problems Offers a diverse range of free eBooks across various genres. Fe Mechanical Exam Practice Problems Focuses mainly on educational books, textbooks, and business books. It offers free PDF downloads for educational purposes. Fe Mechanical Exam Practice Problems Provides a large selection of free eBooks in different genres, which are available for download in various formats, including PDF. Finding specific Fe Mechanical Exam Practice Problems, especially related to Fe Mechanical Exam Practice Problems, might be challenging as theyre often artistic creations rather than practical blueprints. However, you can explore the following steps to search for or create your own Online Searches: Look for websites, forums, or blogs dedicated to Fe Mechanical Exam Practice Problems, Sometimes enthusiasts share their

designs or concepts in PDF format. Books and Magazines Some Fe Mechanical Exam Practice Problems books or magazines might include. Look for these in online stores or libraries. Remember that while Fe Mechanical Exam Practice Problems, sharing copyrighted material without permission is not legal. Always ensure you're either creating your own or obtaining them from legitimate sources that allow sharing and downloading. Library Check if your local library offers eBook lending services. Many libraries have digital catalogs where you can borrow Fe Mechanical Exam Practice Problems eBooks for free, including popular titles. Online Retailers: Websites like Amazon, Google Books, or Apple Books often sell eBooks. Sometimes, authors or publishers offer promotions or free periods for certain books. Authors Website Occasionally, authors provide excerpts or short stories for free on their websites. While this might not be the Fe Mechanical Exam Practice Problems full book, it can give you a taste of the author's writing style. Subscription Services Platforms like Kindle Unlimited or Scribd offer subscription-based access to a wide range of Fe Mechanical Exam Practice Problems eBooks, including some popular titles.

FAQs About Fe Mechanical Exam Practice Problems Books

How do I know which eBook platform is the best for me? Finding the best eBook platform depends on your reading preferences and device compatibility. Research different platforms, read user reviews, and explore their features before making a choice. Are free eBooks of good quality? Yes, many reputable platforms offer high-quality free eBooks, including classics and public domain works. However, make sure to verify the source to ensure the eBook's credibility. Can I read eBooks without an eReader? Absolutely! Most eBook platforms offer web-based readers or mobile apps that allow you to read eBooks on your computer, tablet, or smartphone. How do I avoid digital eye strain while reading eBooks? To prevent digital eye strain, take regular breaks, adjust the font size and background color, and ensure proper lighting while reading eBooks. What the advantage of interactive eBooks? Interactive eBooks incorporate multimedia elements, quizzes, and activities, enhancing the reader engagement and providing a more immersive learning experience. Fe Mechanical Exam Practice Problems is one of the best books in our library for free trial. We provide a copy of Fe Mechanical Exam Practice Problems in digital format, so the resources that you find are reliable. There are also many eBooks of related with Fe Mechanical Exam Practice Problems. Where to download Fe Mechanical Exam Practice Problems online for free? Are you looking for Fe Mechanical Exam Practice Problems PDF? This is definitely going to save you time and cash in something you should think about. If you're trying to find then search around for online. Without a doubt there are numerous these available and many of them have the freedom. However, without a doubt you receive whatever you purchase. An alternate way to get ideas is always to check another Fe Mechanical Exam Practice Problems. This method for see exactly what may be included and adopt these ideas to your book. This site will almost certainly help you save time and effort, money and stress. If you are looking for free

books then you really should consider finding to assist you try this. Several of Fe Mechanical Exam Practice Problems are for sale to free while some are payable. If you arent sure if the books you would like to download works with for usage along with your computer, it is possible to download free trials. The free guides make it easy for someone to free access online library for download books to your device. You can get free download on free trial for lots of books categories. Our library is the biggest of these that have literally hundreds of thousands of different products categories represented. You will also see that there are specific sites catered to different product types or categories, brands or niches related with Fe Mechanical Exam Practice Problems. So depending on what exactly you are searching, you will be able to choose e books to suit your own need. Need to access completely for Campbell Biology Seventh Edition book? Access Ebook without any digging. And by having access to our ebook online or by storing it on your computer, you have convenient answers with Fe Mechanical Exam Practice Problems To get started finding Fe Mechanical Exam Practice Problems, you are right to find our website which has a comprehensive collection of books online. Our library is the biggest of these that have literally hundreds of thousands of different products represented. You will also see that there are specific sites catered to different categories or niches related with Fe Mechanical Exam Practice Problems So depending on what exactly you are searching, you will be able to choose ebook to suit your own need. Thank you for reading Fe Mechanical Exam Practice Problems. Maybe you have knowledge that, people have search numerous times for their favorite readings like this Fe Mechanical Exam Practice Problems, but end up in harmful downloads. Rather than reading a good book with a cup of coffee in the afternoon, instead they juggled with some harmful bugs inside their laptop. Fe Mechanical Exam Practice Problems is available in our book collection an online access to it is set as public so you can download it instantly. Our digital library spans in multiple locations, allowing you to get the most less latency time to download any of our books like this one. Merely said, Fe Mechanical Exam Practice Problems is universally compatible with any devices to read.

Find Fe Mechanical Exam Practice Problems :

premier protein shakes chocolate nutrition
principles of biochemistry lehniger 6th edition pdf

pressure and flow rate relationship in pipe

[prayer answered by crosses john newton](#)

[powerstroke 6.7 fuel economy](#)

[preschool parent teacher conference questions](#)

poverty and crime statistics 2022

[practice patterns of evolution answers](#)

preparing a business for sale

prereading is a strategy which prepares the learner for reading

prerequisites for early childhood education

precision machining technology 3rd edition

prince charles speech after diana died

presidential physical fitness award patch

practice 7-2 similar polygons

Fe Mechanical Exam Practice Problems :